

TAPPO COPRITUBO RETTANGOLARE

MATERIALE:

Tappo rettangolare con inserto lamellare rettangolare in Polietilene (LDPE).

SUPERFICIE:

Satinata.

COLORE:

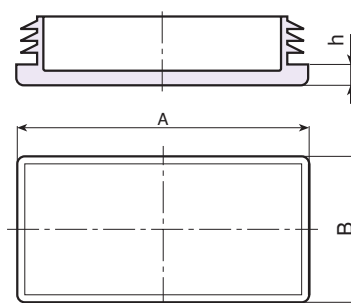
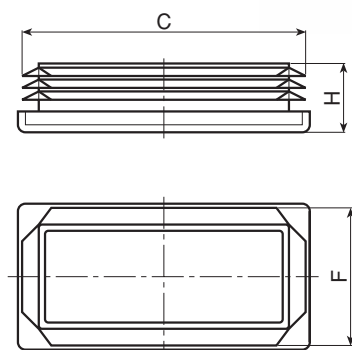
Nero (RAL 9011).

FISSAGGIO:

A pressione.

RICHIESTE SPECIALI:

- Nessuna.



| Art. | AxB | H | h | CxF - Spessore tubo (min - max) | Peso (gr) |
|---------------|-------|----|---|---------------------------------|-----------|
| T482.D20X1001 | 20x10 | 14 | 3 | 0,8-2 | 1 |
| T482.D20X1501 | 20x15 | 17 | 5 | 1-2 | 2 |
| T482.D25X1001 | 25x10 | 15 | 3 | 0,8-2 | 1,5 |
| T482.D25X1501 | 25x15 | 17 | 3 | 1-2,5 | 2,5 |
| T482.D25X2001 | 25x20 | 15 | 3 | 1-3 | 3 |
| T482.D30X1001 | 30x10 | 17 | 5 | 1-2 | 2 |
| T482.D30X1501 | 30x15 | 17 | 5 | 1-2,5 | 3 |
| T482.D30X2001 | 30x20 | 17 | 5 | 1-3 | 3,5 |
| T482.D35X1001 | 35x10 | 17 | 5 | 1-2 | 3 |
| T482.D35X2001 | 35x20 | 17 | 5 | 1-2,5 | 4 |
| T482.D35X2501 | 35x25 | 17 | 5 | 1-3 | 5 |
| T482.D35X3001 | 35x30 | 17 | 5 | 1-1,5 | 6 |
| T482.D40X1501 | 40x15 | 17 | 5 | 1-1,5 | 3,5 |
| T482.D40X2001 | 40x20 | 17 | 5 | 1-2,5 | 4,5 |
| T482.D40X2501 | 40x25 | 17 | 5 | 1-3 | 5 |
| T482.D40X3001 | 40x30 | 17 | 5 | 1-3 | 7 |
| T482.D40X3501 | 40x35 | 17 | 5 | 1-3 | 7 |
| T482.D45X1501 | 45x15 | 17 | 5 | 1,5-2 | 3,5 |
| T482.D45X2001 | 45x20 | 17 | 5 | 1-3 | 5 |
| T482.D45X2501 | 45x25 | 17 | 5 | 1-3 | 5,5 |
| T482.D45X3001 | 45x30 | 17 | 5 | 1-2,5 | 6 |
| T482.D45X3501 | 45x35 | 17 | 5 | 1-3,5 | 6 |
| T482.D50X2001 | 50x20 | 20 | 5 | 1-3 | 6 |
| T482.D50X2501 | 50x25 | 20 | 5 | 1-3 | 6,5 |
| T482.D50X3001 | 50x30 | 20 | 5 | 1-3 | 7,5 |
| T482.D50X3501 | 50x35 | 20 | 5 | 1-3,5 | 11 |
| T482.D50X4001 | 50x40 | 18 | 5 | 1,5-2,5 | 11 |

| Art. | AxB | H | h | CxF - Spessore tubo (min - max) | Peso (gr) |
|----------------|--------|----|---|---------------------------------|-----------|
| T482.D55X4001 | 55x40 | 20 | 5 | 1,5-4 | 11,5 |
| T482.D60X2001 | 60x20 | 20 | 5 | 1-3 | 7,5 |
| T482.D60X2501 | 60x25 | 20 | 5 | 1-2,5 | 8 |
| T482.D60X3001 | 60x30 | 20 | 5 | 1-2,5 | 9,5 |
| T482.D60X3501 | 60x35 | 20 | 5 | 1,5-3,5 | 12 |
| T482.D60X4001 | 60x40 | 20 | 5 | 1-3 | 11,5 |
| T482.D60X4501 | 60x45 | 20 | 5 | 1,5-4 | 14 |
| T482.D60X5001 | 60x50 | 20 | 5 | 1,5-3,5 | 14 |
| T482.D70X2001 | 70x20 | 24 | 5 | 1-2 | 12,5 |
| T482.D70X2501 | 70x25 | 24 | 5 | 1,5-2,5 | 12,5 |
| T482.D70X3001 | 70x30 | 24 | 5 | 1-2 | 14,5 |
| T482.D70X3501 | 70x35 | 24 | 5 | 1,5-3,5 | 15 |
| T482.D70X4001 | 70x40 | 24 | 5 | 1,5-2,5 | 17 |
| T482.D80X2001 | 80x20 | 23 | 5 | 1,5-2 | 14 |
| T482.D80X3001 | 80x30 | 23 | 5 | 1-2,5 | 12,5 |
| T482.D80X4001 | 80x40 | 23 | 5 | 1-3 | 16 |
| T482.D80X5001 | 80x50 | 23 | 5 | 2-4 | 22 |
| T482.D80X6001 | 80x60 | 29 | 5 | 1,5-3,5 | 27 |
| T482.D90X2001 | 90x20 | 20 | 5 | 1-2,5 | 12,5 |
| T482.D90X4001 | 90x40 | 20 | 5 | 2-4 | 13,5 |
| T482.D90X5001 | 90x50 | 28 | 6 | 2-4,5 | 17,5 |
| T482.D90X7001 | 90x70 | 28 | 6 | 3-5,5 | 18,5 |
| T482.D100X3001 | 100x30 | 20 | 5 | 1,5-3,5 | 17 |
| T482.D100X4001 | 100x40 | 20 | 5 | 1,5-4 | 20,5 |
| T482.D100X5001 | 100x50 | 30 | 6 | 2-4,5 | 37 |
| T482.D100X6001 | 100x60 | 30 | 6 | 2,5-4,5 | 33 |
| T482.D100X8001 | 100x80 | 26 | 7 | 3-5,5 | 35 |

